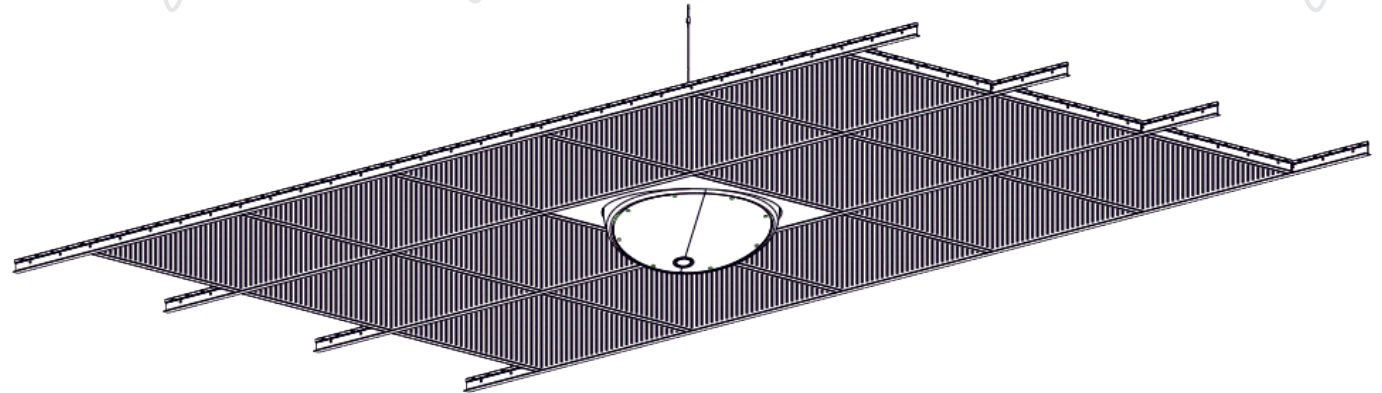


TC-12 ACOUSTIC SYSTEM

SPECIAL KIT FOR CEILING: TC-12-T



KELONIK CINEMA SOUND



- ONE man only for installation.
- High Power 12" Coaxial Speaker.
- 300 W RMS under 4 Ω .
- Light Plywood board (cm) 60 x 60.
with anti-vibration rubber.
- Simple orientation fastening.
- Total weight: 12.30 kg.

Special Kit for ceiling
Includes the following ref.:

TC-12
SP-TC-12-T
PT-60 x 60

Caution

Kelonik will provide all installation instructions and speakers' specification to the property, the cinema exhibitor and any staff (installation technicians, builders, technical architects / building engineers, architects, etc.) involved in the installation of the equipment.

In any case, Kelonik shall have no liability arising from the installation of the equipment, unless Kelonik would take charge of the installation by their own means (directly or indirectly). Kelonik shall only and exclusively be responsible for the equipment warranty.

Without prejudice from the installation instructions and directions that are provided, Kelonik highly recommends that before the installation of the TC-12 ceiling speakers, the property, the cinema integrator, the architect and the false ceiling constructor must first ensure that the false ceiling will be able to support the weight, as well as the possible tangential vibrations that can be transmitted by the speakers to this structure when playing.

This is the cinema responsibility to proceed with strengthening the same in coordination with the cinema integrator, the architect and the false ceiling constructor, in areas where the TC-12 will be located.

Each TC-12 ceiling speaker must also carry additional support slings securely attached to the structural elements either forged, beams, etc. preventing it from falling down to the audience.

TC-12 ACOUSTIC SYSTEM FOR SIDE WALL

TECHNICAL DATA

RMS (Average) power handling(1)	300 W
Peak power handling	1200 W
Frequency range (-10 dB)	63 Hz – 20 kHz
Nominal Impedance	4 Ohms
Sensitivity 1W/1m	99 dB S.P.L. Half-space 96 dB S.P.L. Free-field
Rated maximum peak S.P.L.	130 dB S.P.L. 1 m
Breamwidth	90° Conical
Low Frequency Driver	12-MI-K
High Frequency Driver	M-34-K
Passive Crossover	F-TC-12
Dimensions (Diameter x Depth)	50 x 29 cm 19.7 x 11.42 in
Weight	10.8 kg (23.8 lb)
Ceiling accesories weight	1.5 kg (3.3 lb)

(1) Based on a 2 hour test using a continuous 6 dB crest factor pink noise signal band limited according to IEC 268-1 (1985).



Special wall bracket for side surround installation.

TC-12
SP-TC-12-P

To be purchased separately